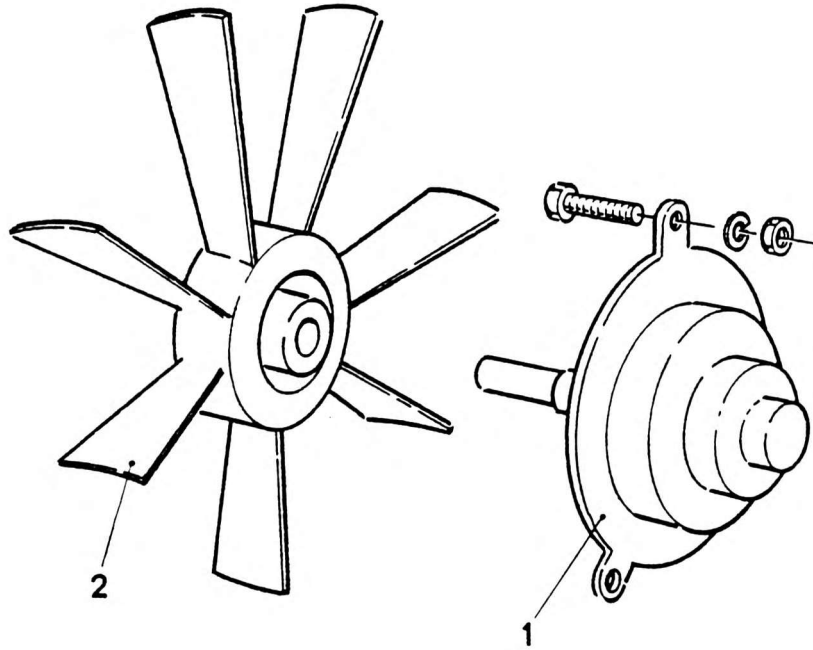


ELECTRIC FAN ASSEMBLY



NO.	PART NO.	QTY.	DESCRIPTION	NO.	PART NO.	QTY.	DESCRIPTION
-	7-425-990021	1	Complete Assembly				
1	7-425-990020/01	1	Motor Electric				
2	7-425-990020/02	1	Fan 15" Impelor				